

S890TBK, TBL, WS OCEANS® SOAP/HAND SANITIZER DISPENSING SYSTEM

Mounting Instructions

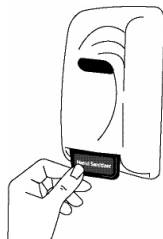
1. Use **TAPE** on mirrors, glazed tile, painted metal or unpainted metal walls. Tape will not perform satisfactorily if wall surface is porous like brick or wood.
2. Use **SCREWS** on all other walls as they provide the most positive long-lasting installation.
3. Thoroughly clean wall surface and let dry. For silicone build-up, use a pumice-type cleaner or grout cleaner to clean the surface.

IMPORTANT: After firmly placing backplate to wall surface, allow 24 hours curing time for proper adhesion before use.

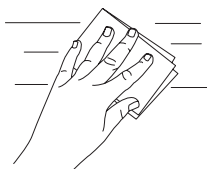
4. Open cover by inserting key and push down on key.

IMPORTANT: When dispensing soap, locate dispenser above a sink or counter. We recommend to never locate where spillage can fall on floor creating a hazardous condition.

NOTE: When dispensing hand sanitizer, it is recommended to affix the enclosed hand sanitizer label on the unit's paddle.



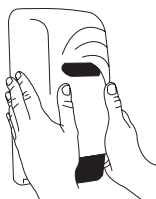
1-2-3 TAPE METHOD



1. Clean the surface and let dry.



2. Remove release paper.



3. Using the top as level, press firmly to wall/glass for 30 seconds. Allow 24-hour curing time before using.

A-B-C SCREW METHOD



- A. Open cover, exposing keyhole slots.



- B. Locate and mark 3 keyholes on mounting surface.

- C. Drill holes for #6 screws and anchors appropriate for wall type.

CAUTION: When installing backplate with tape, allow 24 hours before using the dispenser.

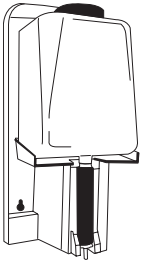
NOTE: When using viscous liquids, hold finger over dispenser opening and pump 3-5 times to prime on bulk dispenser. It is recommended to prime valve with a small amount of water prior to adding viscous liquids.

MAINTENANCE

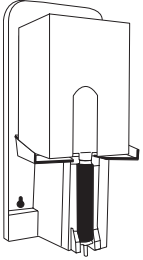
1. Using warm water mixed with soap from the dispenser is the best cleaning solution for all soap dispenser parts. Pump warm water through valve periodically to flush out any contaminants or dried soap residue. **NEVER USE ABRASIVE CLEANERS.**
2. Periodically give the dispenser an overall cleaning.
3. Do not disassemble the bulk soap bottle.

OCEANS® SOAP/HAND SANITIZER CAPACITY SPECIFICATIONS

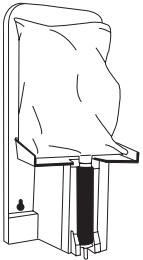
Soap and Hand Sanitizer Packaging Options



Refillable bottle included with dispenser.



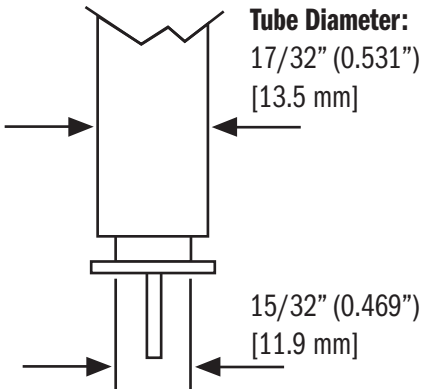
Bag-in-box cartridges of 800ml and 500ml capacity, if included with tube & valve assembly as shown in diagram below.



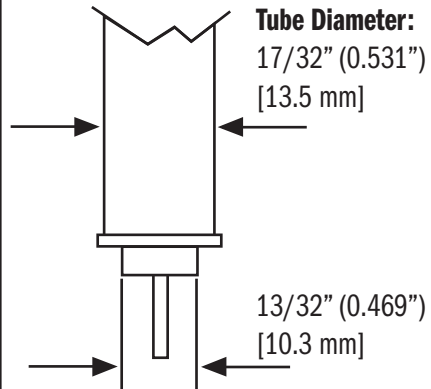
Bag-in-box cartridges of 1000ml capacity, if included with tube & valve assembly as shown in diagram below.
NOTE: BAG MUST BE REMOVED FROM BOX AND PLACED DIRECTLY INTO DISPENSER

TUBE AND VALVE ASSEMBLY STYLES

STYLE A



STYLE B



SAN JAMAR

Smart ♦ Safe ♦ Sanitary

555 Koopman Lane · Elkhorn, Wisconsin 53121 USA
T: 800.248.9826/262.723.6133 · F: 262.723.4204
sanjamar@sanjamar.com · www.sanjamar.com

©2010 San Jamar 100498RevB