



IMPORTANT FOR FUTURE REFERENCE

Please complete this information and retain this manual for the life of the equipment:

Model #: _____

Serial #: _____

Date Purchased: _____

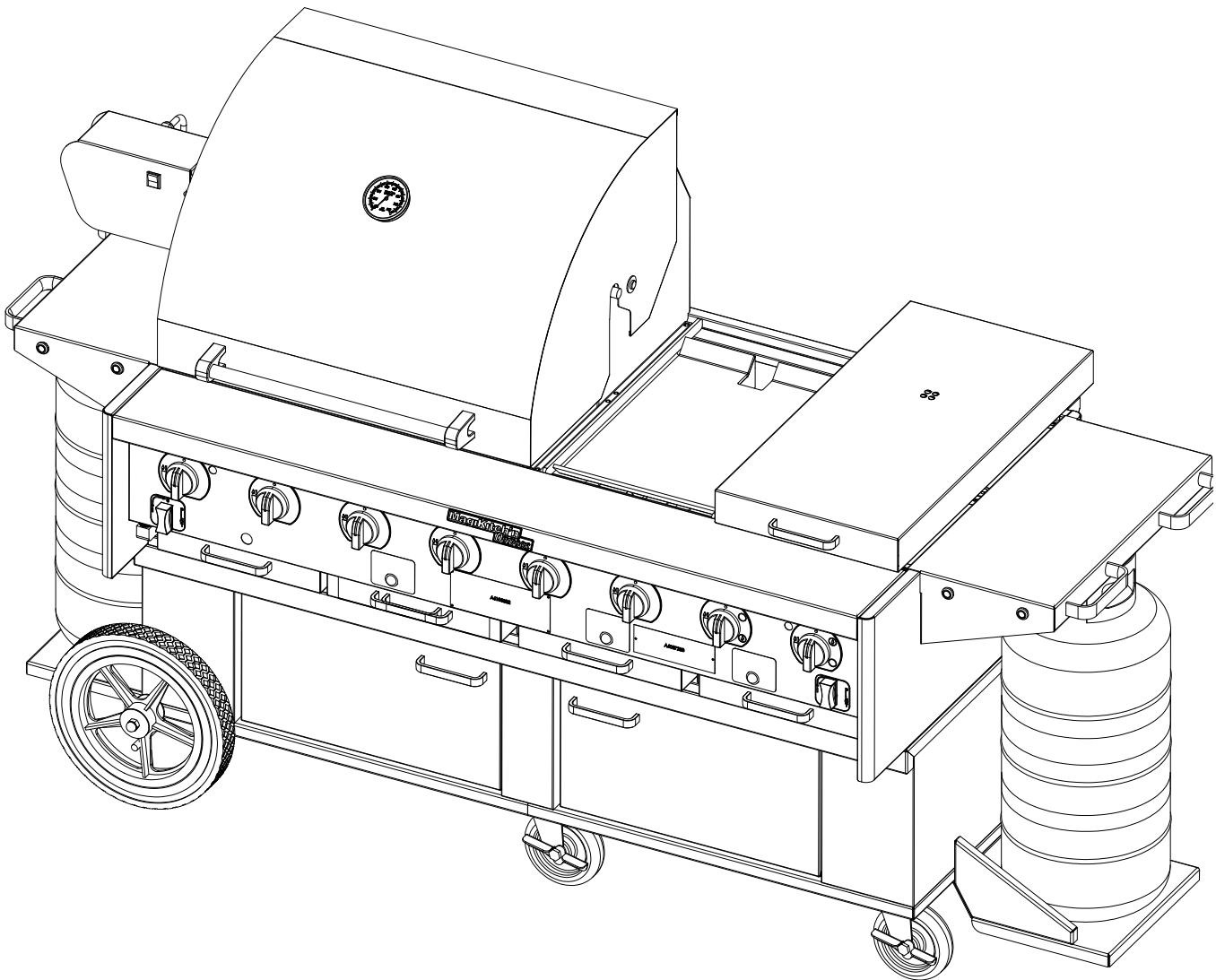
ENGLISH

Exploded Parts Manual

MKO30, MKO45, MKO60

Outdoor Cooking Suites

All Options



Post in a prominent location the instructions to be followed in the event that an operator smells gas. Obtain this information from your local gas supplier.

WARNING

DO NOT store or use gasoline or other flammable vapors and liquids in the vicinity of this or any other appliance.

WARNING

Improper installation, alteration, service or maintenance can cause property damage, injury or death. Read the installation, operating and maintenance instructions thoroughly before installing or servicing this appliance.

WARNING

Installation, maintenance and repairs should be performed by a MagiKitch'n Authorized Service and Parts (ASAP) company technician or other qualified personnel. Installation, maintenance or repairs by an unauthorized and unqualified personnel will void the warranty.

WARNING

Installation and all connections must be made according to national and local regulations and codes in force.

WARNING

During the warranty period if a customer elects to use a non-original part or modifies an original part purchased from MagiKitch'n and/or its Authorized Service and Parts (ASAP) companies, this warranty will be void. In addition, MagiKitch'n and its affiliates will not be liable for any claims, damages or expenses incurred by the customer which arises directly or indirectly, in whole or in part, due to the installation of any modified part and/or received from an unauthorized service center.

WARNING

This appliance, when installed, must be electrically grounded in accordance with local codes, or in the absence of local codes, with the National Electrical Code, ANSI/NFPA 70, or the Canadian Electrical Code, CSA C22.2, as applicable.

WARNING

Adequate means must be provided to LIMIT the movement of this appliance without depending on the gas or electrical cord connection. Single appliances equipped with legs must be stabilized by installing anchor straps. All appliances equipped with casters must be stabilized by installing restraining chains.

WARNING

An appliance equipped with casters and a flexible gas line must be connected to the gas supply with a quick disconnect device. This quick disconnect must comply with ANSI Z24.41.

WARNING

DO NOT alter or remove structural material on the appliance to accommodate placement under a ventilation hood.

WARNING

This appliance is intended for professional use only and should be operated by fully trained and qualified personnel.

WARNING

If the appliance is equipped with a power cord and it is damaged, it must be replaced by a MagiKitch'n Authorized Service and Parts (ASAP) company technician, or a similarly qualified person in order to avoid a hazard.

WARNING

The power supply must be disconnected before servicing, maintaining or cleaning this appliance.

WARNING

The appliance is NOT jet stream approved. DO NOT clean the appliance with a water jet.

WARNING

DO NOT attempt to move this appliance or transfer hot liquids from water tubs to another container when the unit is at operating temperature. Serious personal injury could result if skin comes in contact with the hot surfaces or liquids.

WARNING

DO NOT sit or stand on this appliance. The appliance's front panel, cook plate, splash back, sides, workshelf is not a step. Serious injury could result from slipping, falling or contact with hot surfaces or hot liquids.

WARNING

NEVER use the appliance as a step for cleaning or accessing the ventilation hood. Serious injury could result from slips, trips or from contacting hot surfaces or liquids.

WARNING

This appliance is intended for outdoor use only.

WARNING

DO NOT operate appliance unless all panels and access covers are attached correctly.

WARNING

It is recommended that this appliance be inspected by a qualified service technician for proper performance and operation on a yearly basis.

WARNING

There is an open flame inside this appliance. The unit may get hot enough to set nearby materials on fire. Keep the area around the appliance free from combustibles.

WARNING

DO NOT supply the appliance with a gas that is not indicated on the data plate. If you need to convert the appliance to another type of fuel, contact your equipment dealer or a MagiKitch'n Authorized Service and Parts (ASAP) Company.

WARNING

DO NOT use an open flame to check for gas leaks!

WARNING

If gas flow to appliance is interrupted, or pilots extinguish, wait 5 minutes before attempting to relight the pilot to allow any residual gas in appliance to dissipate.

WARNING

Ensure that the appliance can get enough air to keep the flame burning correctly. If the flame is starved for air, it can give off a dangerous carbon monoxide gas. Carbon monoxide is a clear odorless gas that can cause suffocation.



TABLE OF CONTENTS

1) CABINET & BASE ASSEMBLY 4
CABINET & BASE ASSEMBLY EXPLODED VIEW A PARTS LIST 4
CABINET & BASE ASSEMBLY EXPLODED VIEW A..... 5
MKO ASSEMBLY EXPLODED VIEW B PARTS LIST 6
MKO ASSEMBLY EXPLODED VIEW B 7

2) CONTROLS, OPTIONS & ACCESSORIES..... 8
MKO ASSEMBLY CONTROLS EXPLODED VIEW C PARTS LIST 8
MKO ASSEMBLY CONTROLS EXPLODED VIEW C 9
MKO OPTIONS & ACCESSORIES EXPLODED VIEW D PARTS LIST..... 10
MKO OPTIONS & ACCESSORIES EXPLODED VIEW D..... 10

3) ROTISSERIE ASSEMBLY 11
OPTIONAL ROTISSERIE ASSEMBLY EXPLODED VIEW E PARTS LIST 11
OPTIONAL ROTISSERIE ASSEMBLY SCHEMATIC VIEW E 11
OPTIONAL ROTISSERIE ASSEMBLY EXPLODED VIEW E 12

4) ADDITIONAL OPTIONS & ACCESSORIES 13
ADDITIONAL OPTIONS & ACCESSORIES PARTS LIST 13

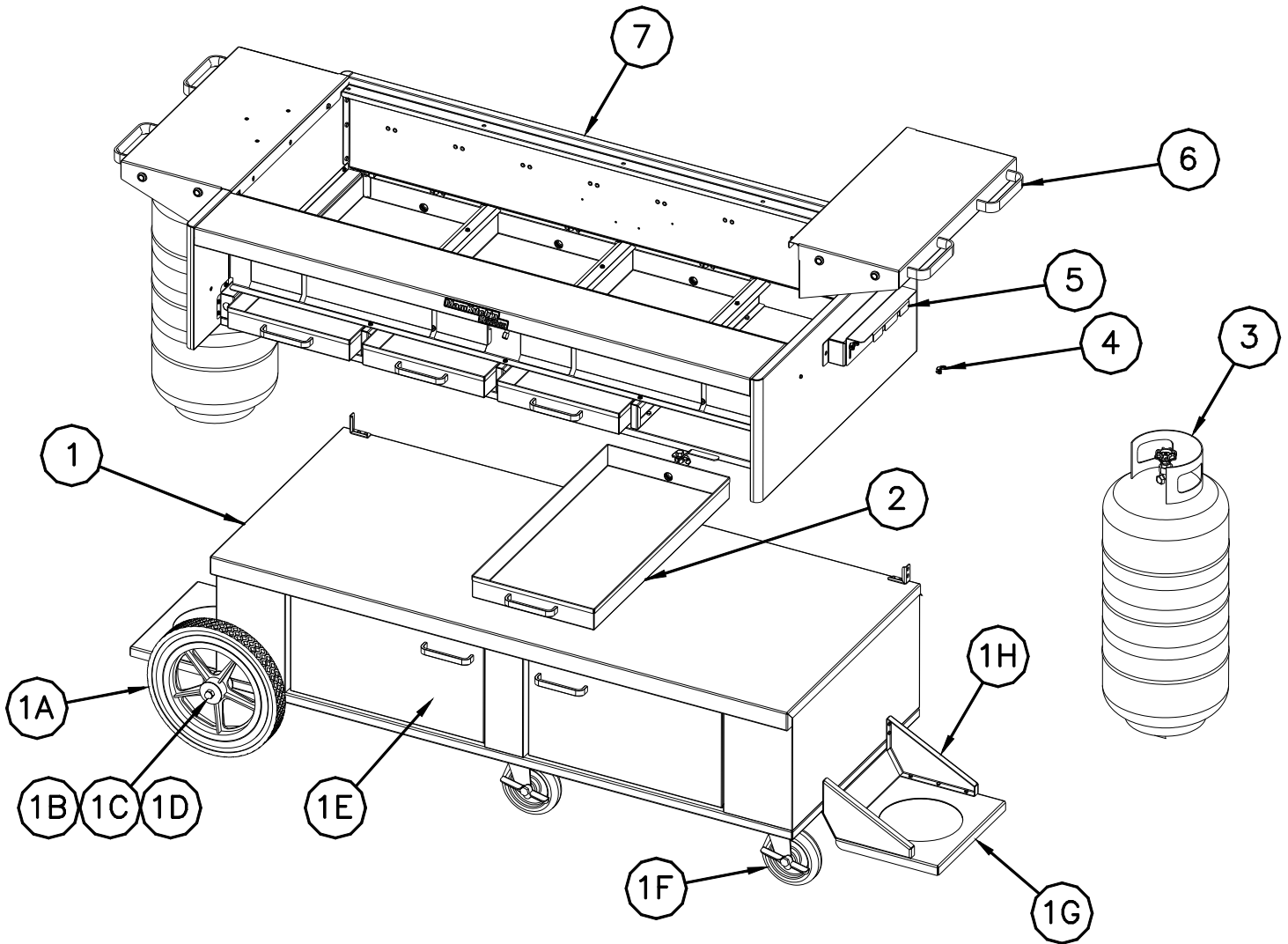
1) CABINET & BASE ASSEMBLY

Cabinet & Base Assembly Exploded View A Parts List

ITEM #	PART #	PART DESCRIPTION
1	5225-1578101	Assembly, Base with Casters MKO30
	5225-1578102	Assembly, Base with EZ Roll Wheels MKO30
	5225-1578103	Assembly, Base with Casters MKO45
	5225-1578104	Assembly, Base with EZ Roll Wheels MKO45
	5225-1578105	Assembly, Base with Casters MKO60
	5225-1578106	Assembly, Base with EZ Roll Wheels MKO60
	5225-1578107	Assembly, Base with Casters MKO30 (Fixed Gas Models)
	5225-1578108	Assembly, Base with EZ Roll Wheels MKO30 (Fixed Gas Models)
	5225-1578109	Assembly, Base with Casters MKO45 (Fixed Gas Models)
	5225-1578110	Assembly, Base with EZ Roll Wheels MKO45 (Fixed Gas Models)
	5225-1578111	Assembly, Base with Casters MKO60 (Fixed Gas Models)
	5225-1578112	Assembly, Base with EZ Roll Wheels MKO60 (Fixed Gas Models)
1A	60170501	Wheel, 14" Diameter
1B	60158902	Acorn Nut, 1/2-13 UNC SST
1C	5425-1577701	Wheel, Hub Cap
1D	A3902106	Axle, 1/2" MKO
1E	5225-1577801	Assembly, Door MKO30
	5225-1577802	Assembly, Door MKO45 RH
	5225-1577803	Assembly, Door MKO45 LH
	5225-1577804	Assembly, Door MKO60 RH
	5225-1577805	Assembly, Door MKO60 LH
1F	5207-1175105	Caster, 6" Swivel With Lock
1G	5125-1576401	Weld Assembly, Bottle Bracket Base
1H	5125-1577101	Weld Assembly, Bottle Bracket Gusset LH
	5125-1577102	Weld Assembly, Bottle Bracket Gusset RH
2	5225-1578801	Assembly, Water Tub MKO
	5225-1578802	Assembly, Water Tub With Drain MKO
3	3905-0299400	Tank, Vertical 40 Lb. With OPD
4	4003-0295900	Wing Nut, 1/4-20 UNC Locking
5	A1859802	Clip, Bottle Bracket
6	5225-1579401	Assembly, Side Service Shelf MKO LH
	5225-1579402	Assembly, Side Service Shelf MKO RH
	5225-1579403	Assembly, Side Service Shelf With Rotisserie MKO LH
	5225-1579404	Assembly, Side Service Shelf With Rotisserie MKO RH
7	5225-1579201	Assembly, Cabinet Frame MKO30
	5225-1579202	Assembly, Cabinet Frame MKO45
	5225-1579203	Assembly, Cabinet Frame MKO60

Cabinet & Base Assembly Exploded View A

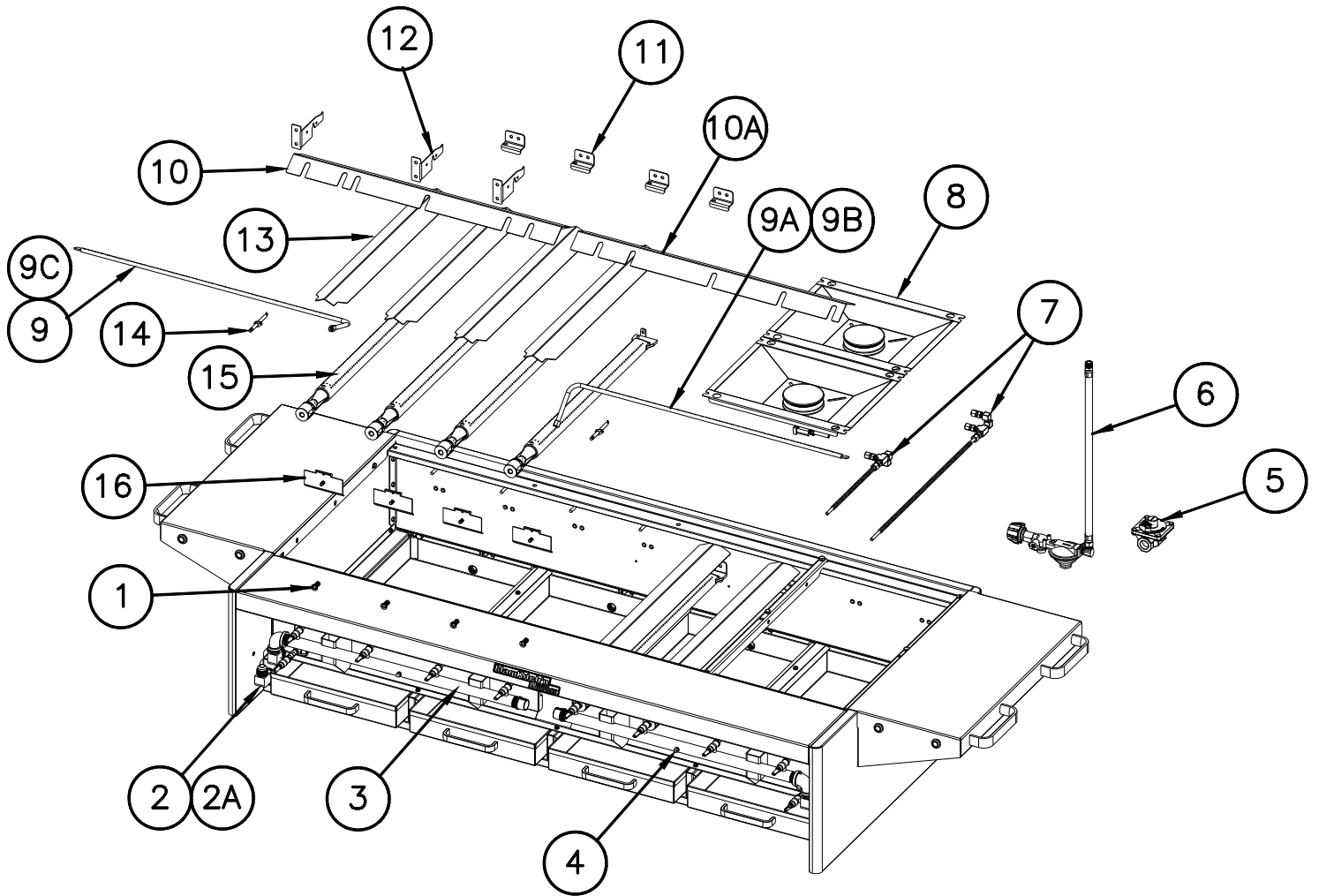
NOTE Some models may not have all the Items as displayed.



MKO Assembly Exploded View B Parts List

ITEM #	PART #	PART DESCRIPTION
1	2908-1318222	Orifice, Main Burner 2.10 mm (Natural Gas)
	2908-0977300	Orifice, Main Burner #55 DMS (LP Gas)
2	60184701	Fitting, Elbow Male Flare X 1/2" NPT
2A	0899-1133101	Pipe, Supply 1/2" NPT SST
3	5225-1575401	Assembly, Burner Manifold MKO30/45/60 LH
4	5225-1575402	Assembly, Burner Manifold MKO60 RH
	5225-1575403	Assembly, Burner Manifold MKO45 RH
5	2701-0028200	Regulator, Natural Gas 3/4" NPT (Fixed Gas Supply)
	2701-0028300	Regulator, LP Gas 3/4" NPT (Fixed Gas Supply)
6	4199-1151601	Assembly, Regulator 2 stage With Hose (Propane Gas)
7	5225-1581801	Assembly, Side Burner Inlet Piping Front
	5225-1581802	Assembly, Side Burner Inlet Piping Rear
8	5225-1575201	Assembly, Side Burner Natural MKO
	5225-1575202	Assembly, Side Burner LP MKO
9	3006-0292500	Burner, Pilot Runner Tube LH
	2908-0940700	Orifice, Pilot Burner .87 mm (Natural Gas)
	2908-0940600	Orifice, Pilot Burner #74 DMS (LP Gas)
9A	3006-0513800	Burner, Pilot Runner Tube MKO60 RH
	2908-0940700	Orifice, Pilot Burner .87 mm (Natural Gas)
	2908-0940600	Orifice, Pilot Burner #74 DMS (LP Gas)
9B	3006-0513801	Burner, Pilot Runner Tube MKO45 RH
	2908-1174800	Orifice, Pilot Burner .98 mm (Natural Gas)
	2908-1174900	Orifice, Pilot Burner #76 DMS (LP Gas)
9C	3006-0292501	Burner, Pilot Runner Tube MKO45 LH
	2908-1174800	Orifice, Pilot Burner .98 mm (Natural Gas)
	2908-1174900	Orifice, Pilot Burner #76 DMS (LP Gas)
10	5425-1581601	Cover, Runner Tube MKO LH
	5425-1581603	Cover, Runner Tube MKO45 LH
10A	5425-1581602	Cover, Runner Tube MKO RH
	5425-1581604	Cover, Runner Tube MKO45 RH
11	5425-1572701	Burner, Mounting Bracket MKO
12	5425-1581501	Burner, Runner Tube Bracket MKO
13	5403-0500302	Radiant, Burner MKO
14	A8036406	Spark, Ignition Rod MKO
15	60180801	Burner, Heavy Duty 1.50" SST
16	5425-1581701	Radiant, Heat Shield MKO
	3606-1184501	Radiant, Pin Support

MKO Assembly Exploded View B

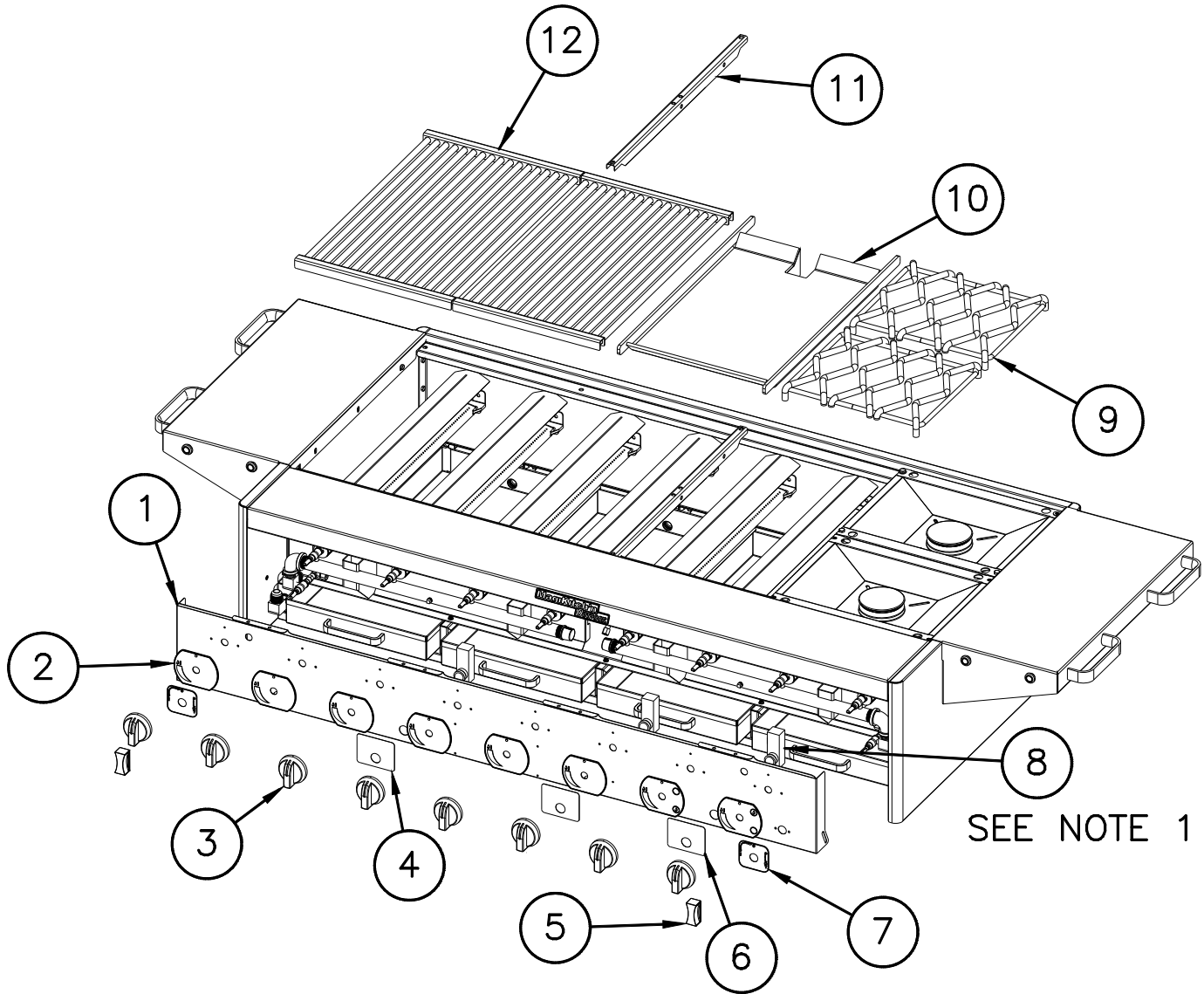


2) CONTROLS, OPTIONS & ACCESSORIES

MKO Assembly Controls Exploded View C Parts List

ITEM #	PART #	PART DESCRIPTION
1	5425-1579301	Front Panel, MKO30
	5425-1579302	Front Panel, MKO45
	5425-1579303	Front Panel, MKO60
2	60182901	Label, On-Off MKO
3	60182301	Knob, Chrome Plated
4	A6105101	Label, Ignition Pilot MKO
5	3501-0705000	Knob, Rectangular Chrome Plated
6	A6105102	Label, Ignition Stove MKO (With Side Burner Option)
7	60183401	Label, Pilot On-Off MKO
8	P9132-34	Control, Spark Battery Operated
8a	P9132-37	Control, Spark 4" Ground Wire
8b	60141301	Wiring, Cable Ignition with Rajah Connection
8c	60167802	Control, Spark Ignitor Wire 24"
8d	60167803	Control, Spark Ignitor Wire 36"
9	5125-1574201	Weld Assembly, Stove Burner Grate MKO (With Side Burner Option)
10	5125-1574301	Weld Assembly, Griddle 15" MKO
11	5125-1583701	Weld Assembly, Center Support MKO
12	5125-1574101	Weld Assembly, Top Grid Single MKO (With Hood Option)
	5125-1574102	Weld Assembly, Top Grid Dual MKO

MKO Assembly Controls Exploded View C



SEE NOTE 1

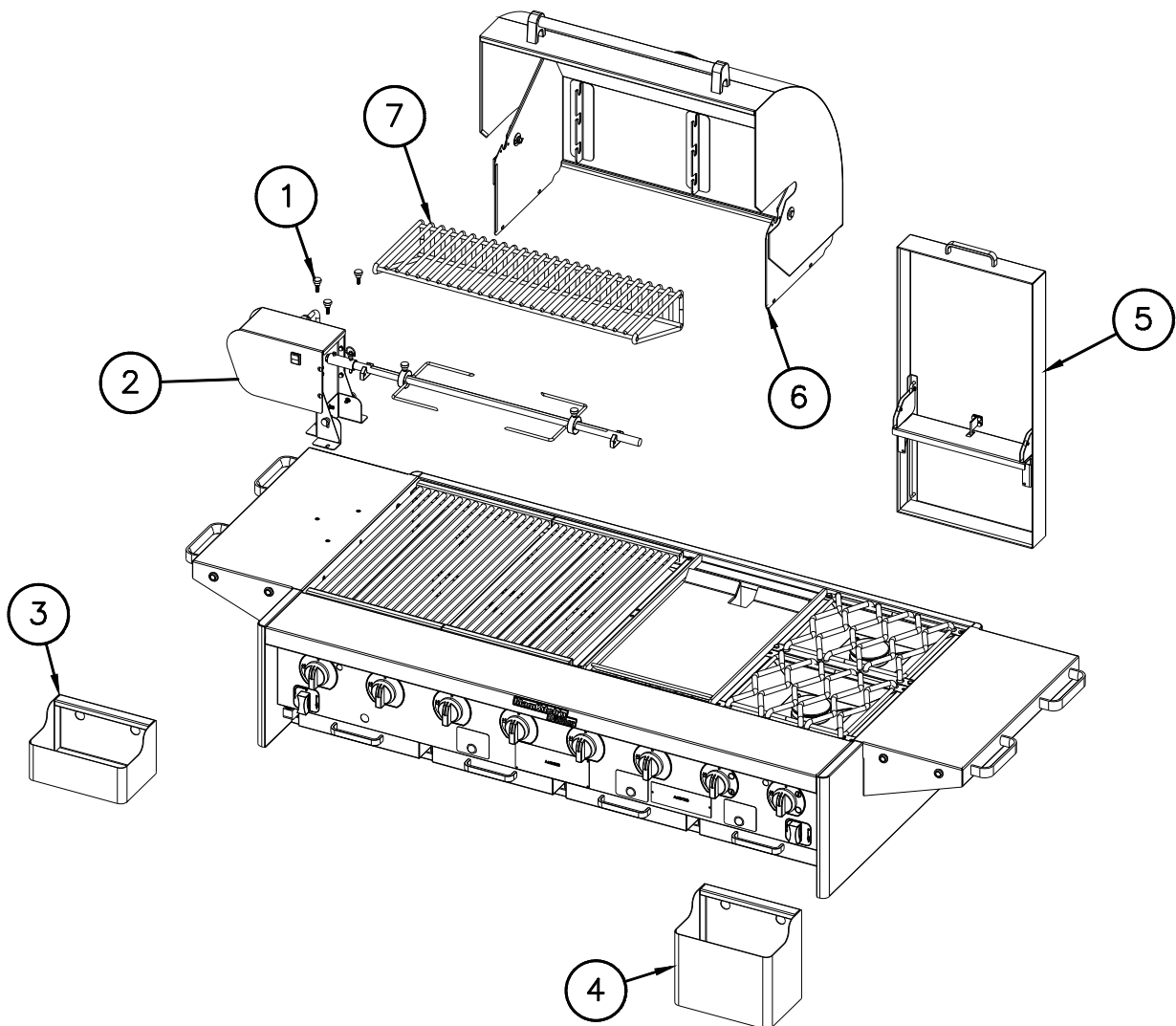
NOTE(S):

1. See Exploded VIEW C Parts list for Item(s) 8a,8b,8c and 8d, these are various wiring connections but not shown for clarity.
2. Main burner pilot runner tube(s) and side burner spark control(s) require different wire connections.

MKO Options & Accessories Exploded View D Parts List

ITEM #	PART #	PART DESCRIPTION
1	60183601	Knob, Mounting/Adjustment Screw Rotisserie (Included with Rotisserie)
2	7225-1578401	Option, Rotisserie 30" Left Mount MKO
	7225-1578401	Option, Rotisserie 30" Right Mount MKO
3	5125-1578501	Accessory, Utility Ice/Sauce Bucket MKO
4	5125-1578502	Accessory, Utility Utensil/Spice Bucket MKO
5	5225-1578601	Option, Side Burner Cover (Available with Side Burner Option Only)
6	5225-1578701	Option, Hood Complete 15" MKO
	5225-1578702	Option, Hood Complete 30" MKO
7	5125-1574001	Accessory, Hood Warming Rack 15" (Available with 15" Hood Only)
	5125-1574002	Accessory, Hood Warming Rack 30" (Available with 30" Hood Only)

MKO Options & Accessories Exploded View D

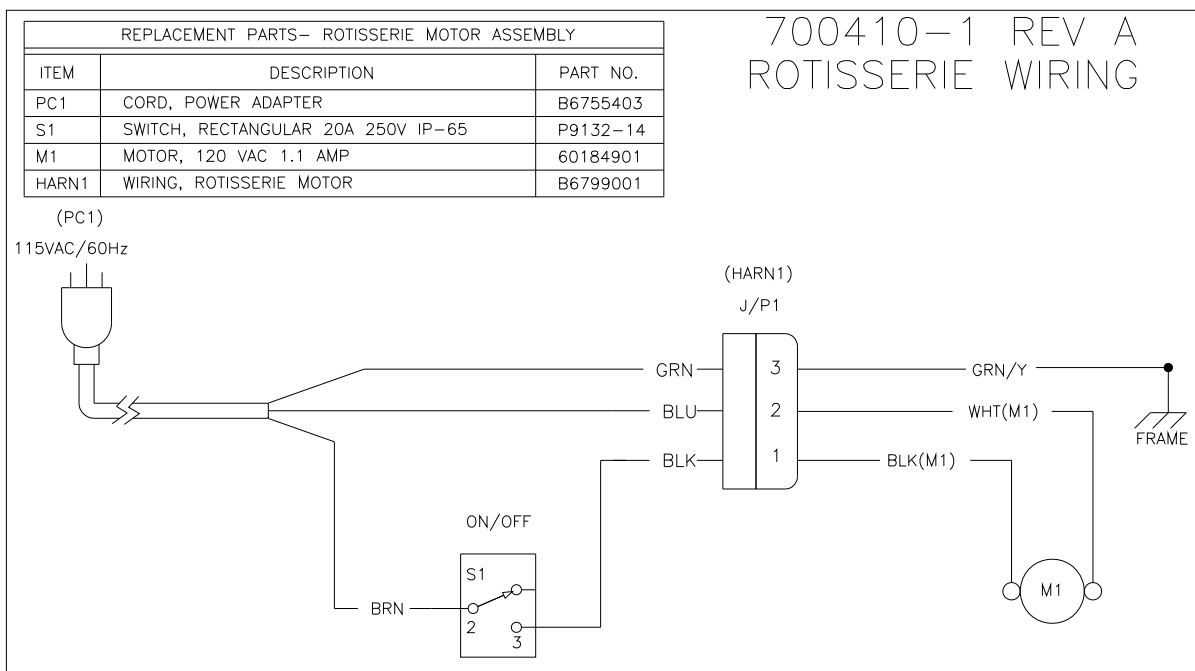


3) ROTISSERIE ASSEMBLY

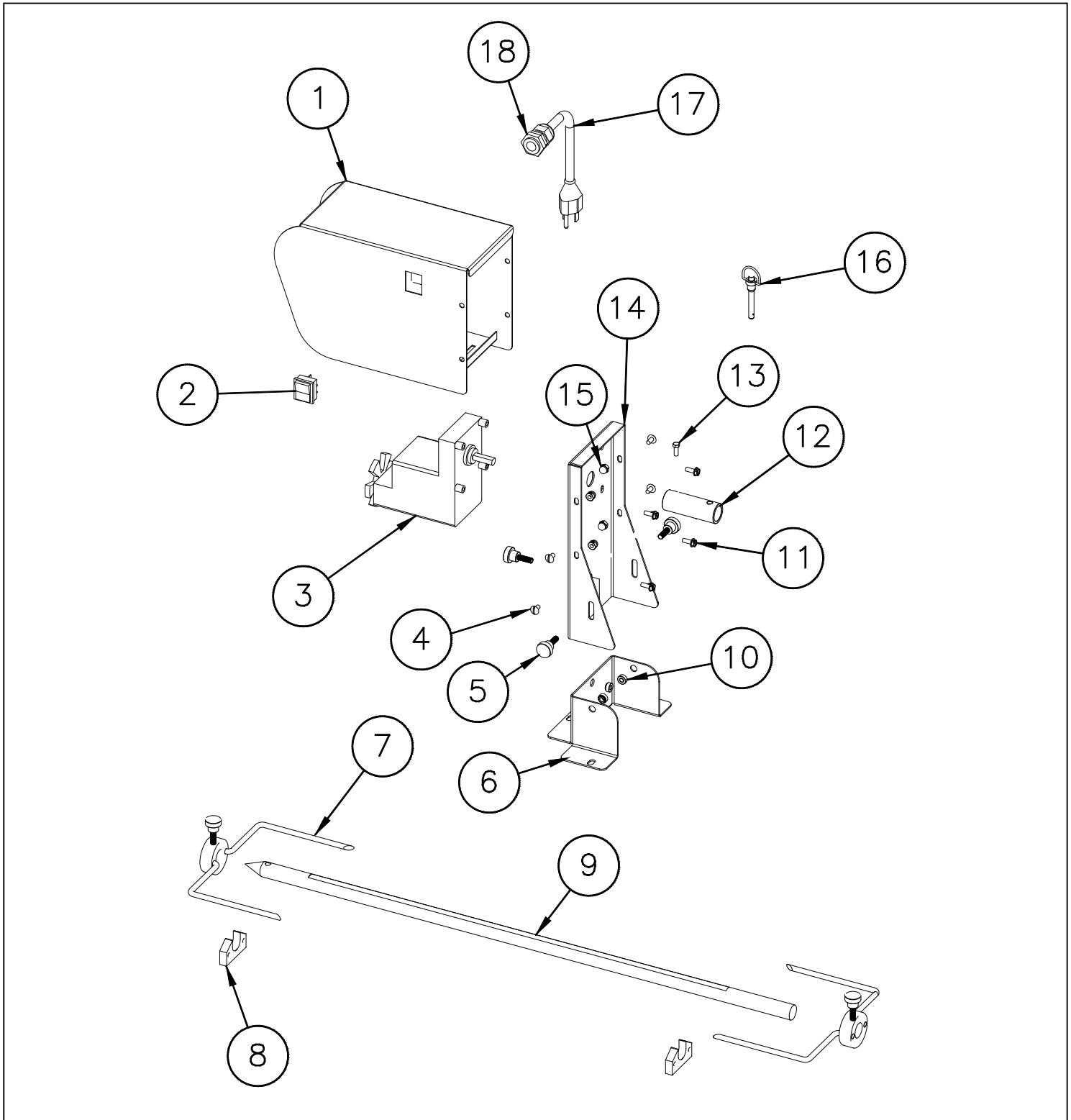
Optional Rotisserie Assembly Exploded View E Parts List

ITEM #	PART #	PART DESCRIPTION
1	5425-1582301	Rotisserie, Motor Cover Housing LH
	5425-1582302	Rotisserie, Motor Cover Housing RH
2	P9132-14	Switch, Rectangular 20A 250V IP-65
3	60184901	Motor, Rotisserie 120V 6RPM
4	60125801	Screw, 10-24 x .375 Slot TH
5	60183601	Knob, Knurled 1/4-20 UNC
6	5425-1587501	Rotisserie, Base Mounting Bracket
7	5125-1582601	Weld Assembly, Rotisserie Fork
8	5425-1573501	Rotisserie, Saddle Bearing
9	5425-1573701	Rotisserie, Spit
10	60174407	Pemsert, 1/4-20 UNC SST
11	PP11178	Screw, 10-24 x .375 sSelf Tap SST
12	5425-1573601	Rotisserie, Spit Coupling
13	P0112000	Bolt, 10-24 X 1/2 Hex Head SST
14	5425-1582401	Rotisserie, Motor Mounting Plate
15	P0142000	Nut, Acorn 10-24 with Centerlock SST
16	60183701	Pin, Quick Release Ring Grip SST
17	B6755403	Cord, Rotisserie Power 14-3 AWG
18	PP10914	Bushing, Strain Relief Cable
19	B6799001	Wiring, Rotisserie Motor Harness

Optional Rotisserie Assembly Schematic View E



Optional Rotisserie Assembly Exploded View E



NOTE: Item 19, motor wiring not shown, refer to View E table.

4) ADDITIONAL OPTIONS & ACCESSORIES

Additional Options & Accessories Parts List

PART #	PART DESCRIPTION
5006-0040700	Accessory, Top Grid Scraper
9801-1275100	Accessory, Steamer Pan Set 15"
9801-0509000	Accessory, Steamer Pan Set 30"
9825-2000103	Accessory, Cutting Board MKO30
9825-2000104	Accessory, Cutting Board MKO45
9825-2000105	Accessory, Cutting Board MKO60
60184801	Accessory, Vinyl Cover MKO30 (W/ Hood(s))
60184802	Accessory, Vinyl Cover MKO30 FLAT (W/O Hood(s))
60184803	Accessory, Vinyl Cover MKO30 BI (W/ Hood(s), No Base)
60184804	Accessory, Vinyl Cover MKO30 BI FLAT (W/O Hood(s), No Base)
60184805	Accessory, Vinyl Cover MKO45 (W/ Hood(s))
60184806	Accessory, Vinyl Cover MKO45 FLAT (W/O Hood(s))
60184807	Accessory, Vinyl Cover MKO45 BI (W/ Hood(s), No Base)
60184808	Accessory, Vinyl Cover MKO45 BI FLAT (W/O Hood(s), No Base)
60184809	Accessory, Vinyl Cover MKO60 (W/ Hood(s))
60184810	Accessory, Vinyl Cover MKO60 FLAT (W/O Hood(s))
60184811	Accessory, Vinyl Cover MKO60 BI (W/ Hood(s), No Base)
60184812	Accessory, Vinyl Cover MKO60 BI FLAT (W/O Hood(s), No Base)



In the event of problems with or questions about your order, please contact the MagiKitch'n factory at :
(603)225-6684 World Wide
www.magikitchn.com

In the event of problems with or questions about your equipment, please contact the MagiKitch'n Authorized Service and Parts representative (ASAP) covering your area, or contact MagiKitch'n at the numbers listed to the left.

MAILING ADDRESS – P.O. BOX 501, CONCORD, NH 03302-0501
SHIPPING ADDRESS – 10 FERRY ST., CONCORD, NH 03301