

Chewblet[®] Ice Machines

Value

Flexibility

Reliability



Follett® Chewblet ice machines . . .

What is Chewblet ice?

Chewblet ice is formed on the interior wall of a barrel-shaped evaporator. A rotating auger gently removes the ice from the evaporator wall and extrudes it through a compression nozzle to remove unfrozen water. From the nozzle, ice is pushed into a transport tube and distributed to a bin or dispenser up to 20 feet (6 m) away for Maestro Plus™ ice machines and 75 feet (22.8 m) for Horizon™ ice machines.

The result is Chewblet ice, uniformly shaped pieces of chewable ice in two different sizes. Original Chewblet ice is approx. 1" (2.54 cm) long and Micro Chewblet ice is approx. 3/8" (0.95 cm) long. Chewblet ice is higher in quality than other forms of extruded ice, and more reliably dispensed.



Bite sized Chewblets – 5/8" diameter

**environmentally
responsible**

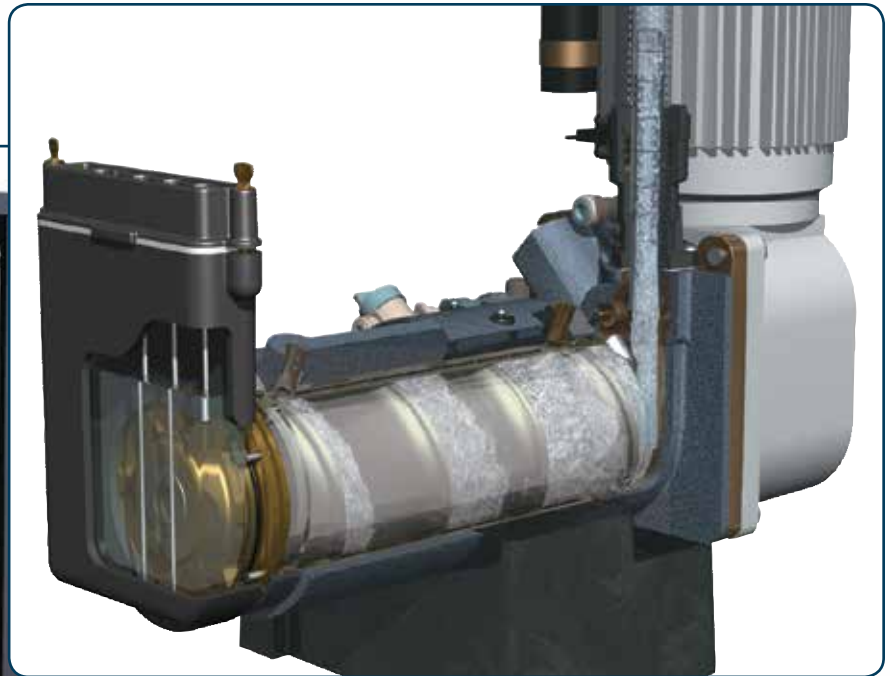
Follett Chewblet ice machines consume less water and electricity than comparable size cube-type machines.

The Horizon series employs advanced technology and design features to provide superior utility performance. Horizon machines consume up to 40% less water than comparable size cube ice machines. In addition, most Horizon ice machines are ENERGY STAR® certified.



Cube Ice

- Batch harvesting of thick cubes is energy intensive – disrupts refrigeration by frequent stopping and starting, heating and cooling
- Freezing process is reversed to heat evaporator plates in order to release cubes
- Gallons of chilled water are flushed down the drain – wastes water and energy



Chewblet Ice

- Continuous harvesting of a thin layer of ice optimizes energy use – no disruption of refrigeration cycle
- Cycle is NEVER reversed and additional energy to remove ice is NEVER required
- All water is consumed to make ice except for a few gallons per day for flushing the evaporator

**unparalleled
reliability**

Only Follett Chewblet ice machines offer RIDE® remote ice delivery equipment

As ice is extruded from the machine, it enters the transport tube and pushes the ice ahead of it through the tube without the use of pumps, vacuums, or blowers. Simple, but effective, RIDE technology allows the ice machine to be placed up to 75 feet (22.8 m) away from the dispenser or storage bin. It can be put under a counter, placed in a back room, even mounted on a wall! Here are a few reasons RIDE technology can be the right solution for you.

Improved aesthetics

- No bulky ice machine on top of dispenser; more open space
- No heat and noise in customer areas

Accessibility

- Complete access to countertop dispensers for cleaning and servicing
- No heavy ice machines to move or work around; improved worker safety

Space utilization

- Only a few inches of head room required above bins
- Great for low ceilings or to increase storage capacity in the same footprint
- More ice storage per square foot of floor space

Follett Chewblet ice machines are designed to be virtually maintenance free except for routine cleaning and sanitizing.

- A rugged, high performance gearmotor and a bearing-free design provide maintenance-free machine life
- Reliability of components has been proven by over ten years of operation in the most demanding kitchen environments
- Ice machine subjected to extreme operating conditions to assure superior performance in all applications
- Routine cleaning and sanitizing is easier than ever

Top-mount configuration

Follett Chewblet ice machines are low profile to fit under soffits and low ceilings.

Potential for significant cost savings versus remote condensing ice machine

- Cubers and nugget machines must use a remote condensing system to remove heat and noise from the customer area
- Self-contained Follett Chewblet ice machines with RIDE models can be placed in a back room to reduce equipment and installation costs by over 25%
- Since Follett Chewblet ice machines reject only about 2/3 the BTUs of comparable capacity cubers, overall HVAC costs go down in most cases

**exclusive
RIDE
technology**

FOLLETT
Innovative solutions. Inspired by ice.

consumer preferred ice

What consumers say

Independent market research* shows that up to 70% of consumers prefer Chewblet ice in their fountain beverages. Frequent fountain users particularly like Chewblet ice.

"Its crisp, sparkling appearance looks refreshing"

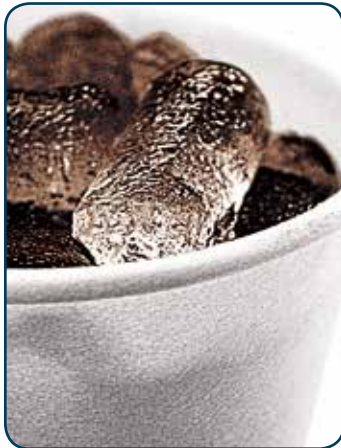
"Cools drinks quickly, but melts slowly to maintain drink quality longer"

"It's easy and fun to chew when the drink is gone!"

* Surveys conducted by Roper ASW in Austin, Integrated Marketing Concepts in Columbus



45% of consumers said they'd purchase more fountain beverages if offered with Chewblet ice.



Superior drink performance

Independent lab testing compared Chewblet ice to several types of cube and nugget ice. The results? Chewblet ice was comparable or superior in every category!

- Drink displacement – better displacement than cubes and nuggets for higher profit
- Cold plate performance – outperforms cubes, doesn't bridge like nuggets – colder, more consistent drink temperatures
- Drink dilution and carbonation retention – comparable to cubes – longer lasting, high quality taste

Reliable dispensing

Whereas smaller, softer nugget ice often causes bridging and jamming in ice and beverage dispensers, Chewblet ice dispenses reliably. Chewblet ice can be dispensed from Follett Vision™ ice and beverage dispensers, as well as from most models of countertop ice and beverage dispensers.

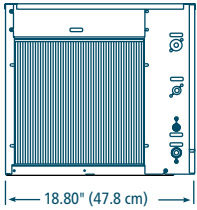
Follett offers top kits to allow Chewblet machines to fit other manufacturers' dispensers.



Follett ice machines

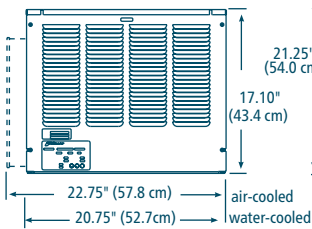
Self-contained

425 RIDE Model
Front View



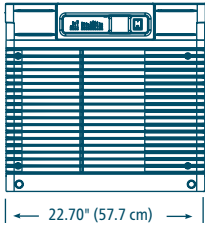
18.80" (47.8 cm)

Side View



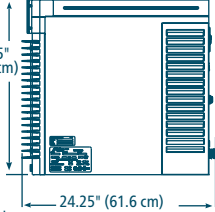
22.75" (57.8 cm) air-cooled
20.75" (52.7 cm) water-cooled

425 Top Mount/700
Front View



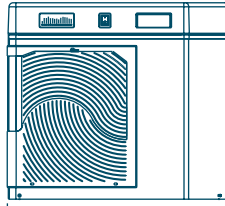
22.70" (57.7 cm)

Side View



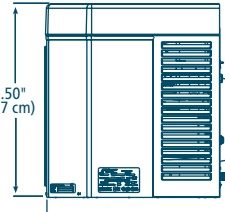
24.25" (61.6 cm)

1000/1400
Front View



26.62" (67.6 cm) 1000 series
29.62" (75.2 cm) 1400 series

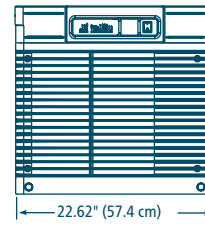
Side View



23.50" (59.7 cm)
22.80" (57.9 cm) 1000 series
23.80" (60.4 cm) 1400 series

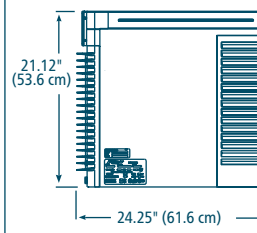
Remote condensing

700
Front View



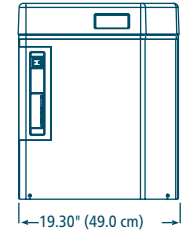
22.62" (57.4 cm)

Side View



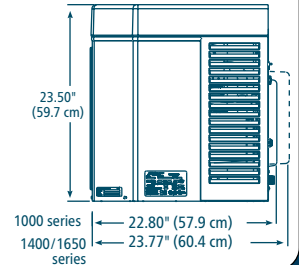
24.25" (61.6 cm)

1000/1400/1650
Front View



19.30" (49.0 cm)

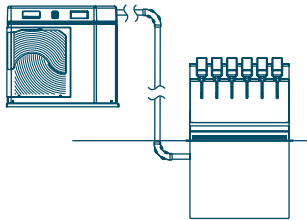
Side View



23.50" (59.7 cm)
22.80" (57.9 cm) 1000 series
23.77" (60.4 cm) 1400/1650 series

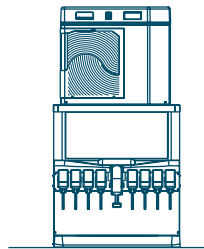
RIDE Models

Drop-in soda dispensers and ice chests



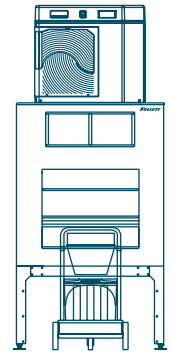
Top-mount

Countertop ice and beverage dispensers



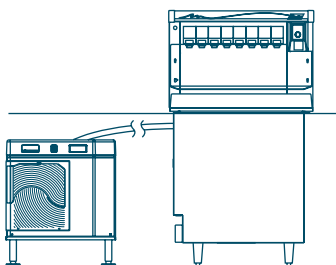
Top-mount

Follett ice storage and transport equipment



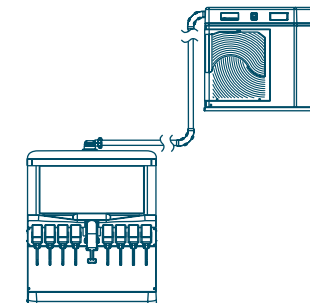
RIDE Models

Follett Vision ice and beverage dispensers



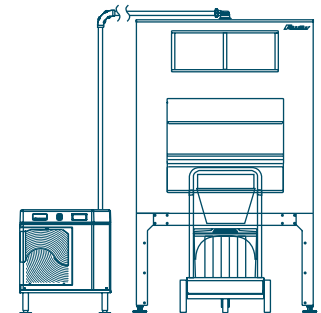
RIDE Models

Countertop ice and beverage dispensers



RIDE Models

Follett ice storage and transport equipment



Warranty – Maestro Plus 425 series – 3 years parts and labor on all components, 5 years parts on compressor
Horizon 700, 1000, 1400 and 1650 series – 3 years parts and labor on all components, 5 years parts on compressor

ENERGY STAR is a registered US mark.
Horizon, Maestro Plus and Vision are trademarks of Follett Corporation.
Chewblet, Follett and RIDE are registered trademarks of Follett Corporation, registered in the US.