



AGM SERIES MANUAL CONTROL HEAVY-DUTY GAS GRIDDLE



Model AGM48



SPECIFICATIONS

Low profile heavy duty gas griddle, Wolf model No. _____
Stainless steel front, sides and front top ledge. Fully welded stainless and aluminized steel body frame. 11" low profile cooking height on 4" legs. 1" thick polished steel griddle plate with 12 gage, 4" stainless steel back and tapered side splashes. Grease chute is fully welded to stop grease migration. One 27,000 BTU/hr. "U" shaped aluminized steel burner for every 12" of griddle width. One high range infinite heat control valve per burner. 3½" wide stainless steel grease trough. ¾" rear gas connection and pressure regulator.

Exterior Dimensions:

_____ "w x 31½" d x 15½" h on 4" legs.

SPECIFY TYPE OF GAS WHEN ORDERING.
SPECIFY ALTITUDE WHEN ABOVE 2,000 FT.

- AGM24** 24"w x 24"d griddle plate
- AGM36** 36"w x 24"d griddle plate
- AGM48** 48"w x 24"d griddle plate
- AGM60** 60"w x 24"d griddle plate
- AGM72** 72"w x 24"d griddle plate

STANDARD FEATURES

- Stainless steel front, sides and front top ledge with "Cool Bullnose" design.
- Fully welded stainless and aluminized steel chassis frame.
- 11" low profile cooking height on 4" adjustable legs.
- 1" thick polished steel griddle plate with 12 gage, 4" stainless steel back and tapered side splashes.
- Spatula wide 3½" grease gutter and grease chute is fully welded for easier cleaning and to stop grease migration.
- One 27,000 BTU/hr. "U" shaped aluminized steel burner for every 12" of griddle width.
- Large 6 quart stainless steel grease drawer (2 drawers on 60" and 72" models).
- One high range infinite heat control valve per burner.
- Bottom heat shields.
- Standing pilot ignition system.
- ¾" rear gas connection and pressure regulator.
- One year limited parts and labor warranty.

OPTIONAL FEATURES

- Stainless steel stand with marine edges and casters.
- Cutting board, condiment rail, plate rail, and banking strip accessories.
- Full or partially grooved griddle plate.



AGM SERIES

MANUAL CONTROL HEAVY-DUTY GAS GRIDDLE

INSTALLATION INSTRUCTIONS

1. A gas pressure regulator supplied with the unit must be installed:
 Natural Gas 4.0" (102 mm) W.C.
 Propane Gas 10.0" (254 mm) W.C.
2. An adequate ventilation system is required for commercial cooking equipment. Information may be obtained by writing to the National Fire Protection Association, Batterymarch Park, Quincy, MA 02269. When writing refer to NFPA No. 96.
3. These units are manufactured for installation in accordance with National Fuel Gas Code, ANSI-Z223.1/ NFPA #54 (latest edition). Copies may be obtained from The American Gas Association, Accredited Standards

Committee Z223 @ 400 N. Capital St. NW, Washington, DC 20001, or the Secretary Standards Council, NFPA, 1 Batterymarch Park, Quincy, MA 02169-7471.

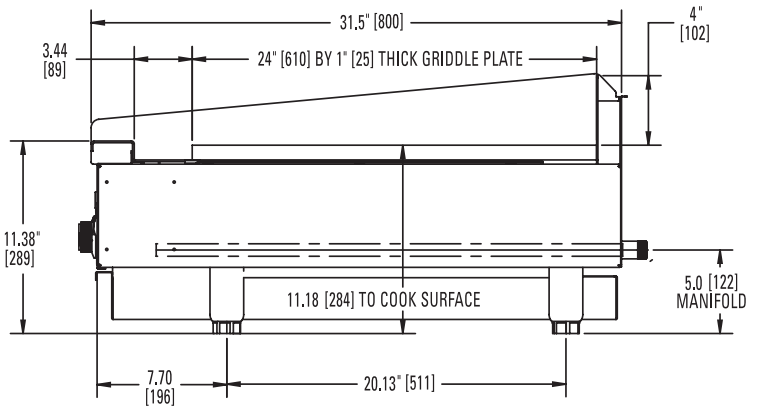
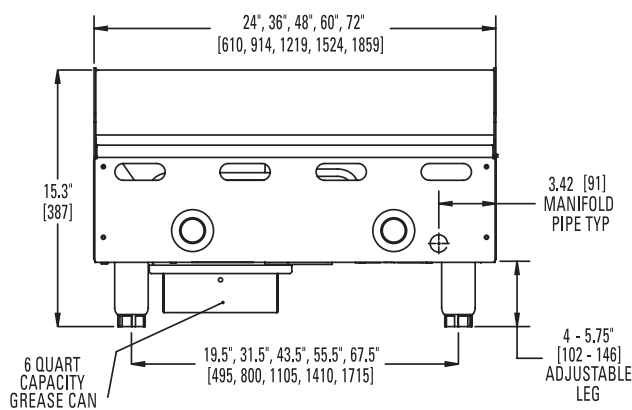
NOTE: In The Commonwealth of Massachusetts

All gas appliances vented through a ventilation hood or exhaust system equipped with a damper or with a power means of exhaust shall comply with 248 CMR.

4. CLEARANCES

| | Combustible | Non-Combustible |
|-------|-------------|-----------------|
| rear | 6" | 0" |
| sides | 6" | 0" |

5. This appliance is manufactured for commercial installation only and is not intended for home use.



| MODEL | WIDTH | DEPTH | OVERALL HEIGHT* | WORKING HEIGHT* | NO. OF BURNERS | TOTAL BTU/HR. | NO. OF DRAWERS | APPROX. SHIP. WT. |
|-------|-------|-------|-----------------|-----------------|----------------|---------------|----------------|-------------------|
| AGM24 | 24" | 31½" | 15¼" | 11⅛" | 2 | 54,000 | 1 | 285 lbs./129 kg. |
| AGM36 | 36" | 31½" | 15¼" | 11⅛" | 3 | 81,000 | 1 | 400 lbs./181 kg. |
| AGM48 | 48" | 31½" | 15¼" | 11⅛" | 4 | 108,000 | 1 | 480 lbs./218 kg. |
| AGM60 | 60" | 31½" | 15¼" | 11⅛" | 5 | 135,000 | 2 | 650 lbs./295 kg. |
| AGM72 | 72" | 31½" | 15¼" | 11⅛" | 6 | 162,000 | 2 | 790 lbs./358 kg. |

*These are nominal dimensions and can vary by +1.75" with adjustable legs.