



# HOSHIZAKI

## Parts Manual

Ice Dispensing Bin

Model  
DB-200H



[hoshizakiamerica.com](http://hoshizakiamerica.com)

Number: 71204  
Issued: 4-9-2002  
Revised: 4-21-2016

## CONTENTS

Auxiliary Codes.....	3
Note About Ordering Parts .....	3
A. Main Assembly .....	4
B. Bin Assembly .....	6
C. Mechanism Assembly.....	8
D. Solenoid Assembly .....	10
E. Accessories & Labels .....	11

## **Auxiliary Codes**

### **DB-200H**

L-0	September 2001
M-0	December 2001
M-1	June 2002
N-0	December 2002
P-0	December 2003
P-5	October 2004
Q-5	December 2004
R-5	December 2005
S-5	January 2007
S-6	April 2007
S-7	September 2007
T-5	January 2008
T-6	February 2008
U-5	January 2009
V-5	January 2010
A-5	May 2011
B-5	January 2012
B-6	February 2012
C-5	January 2013
D-5	January 2014
E-5	January 2015
F-5	January 2016

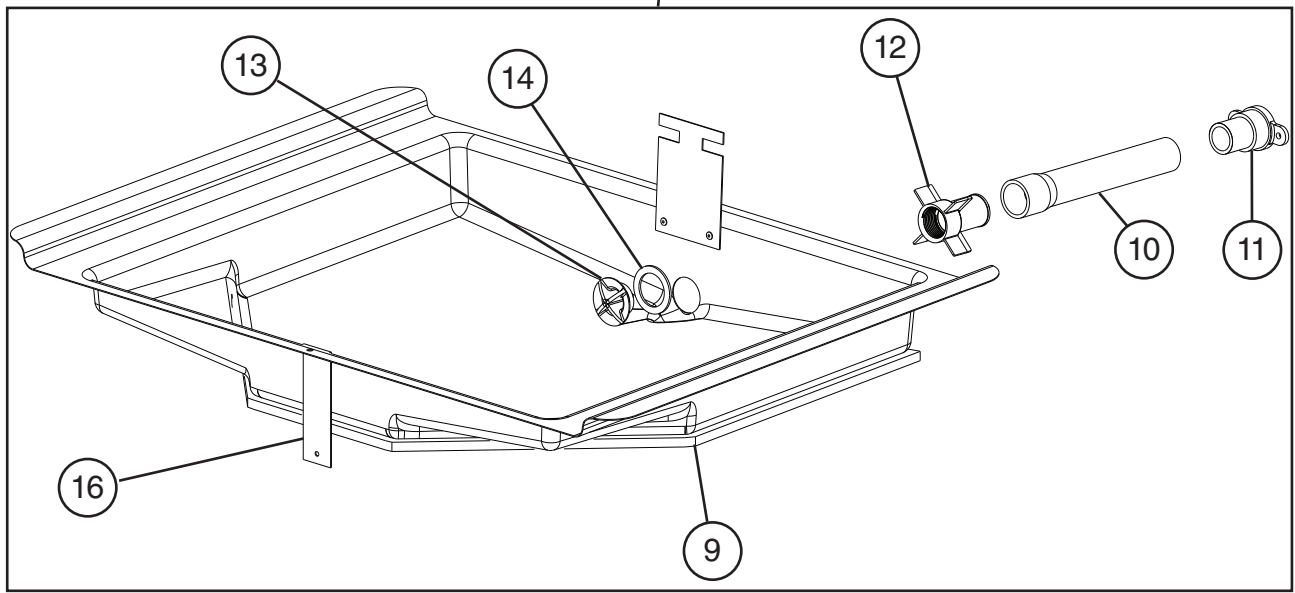
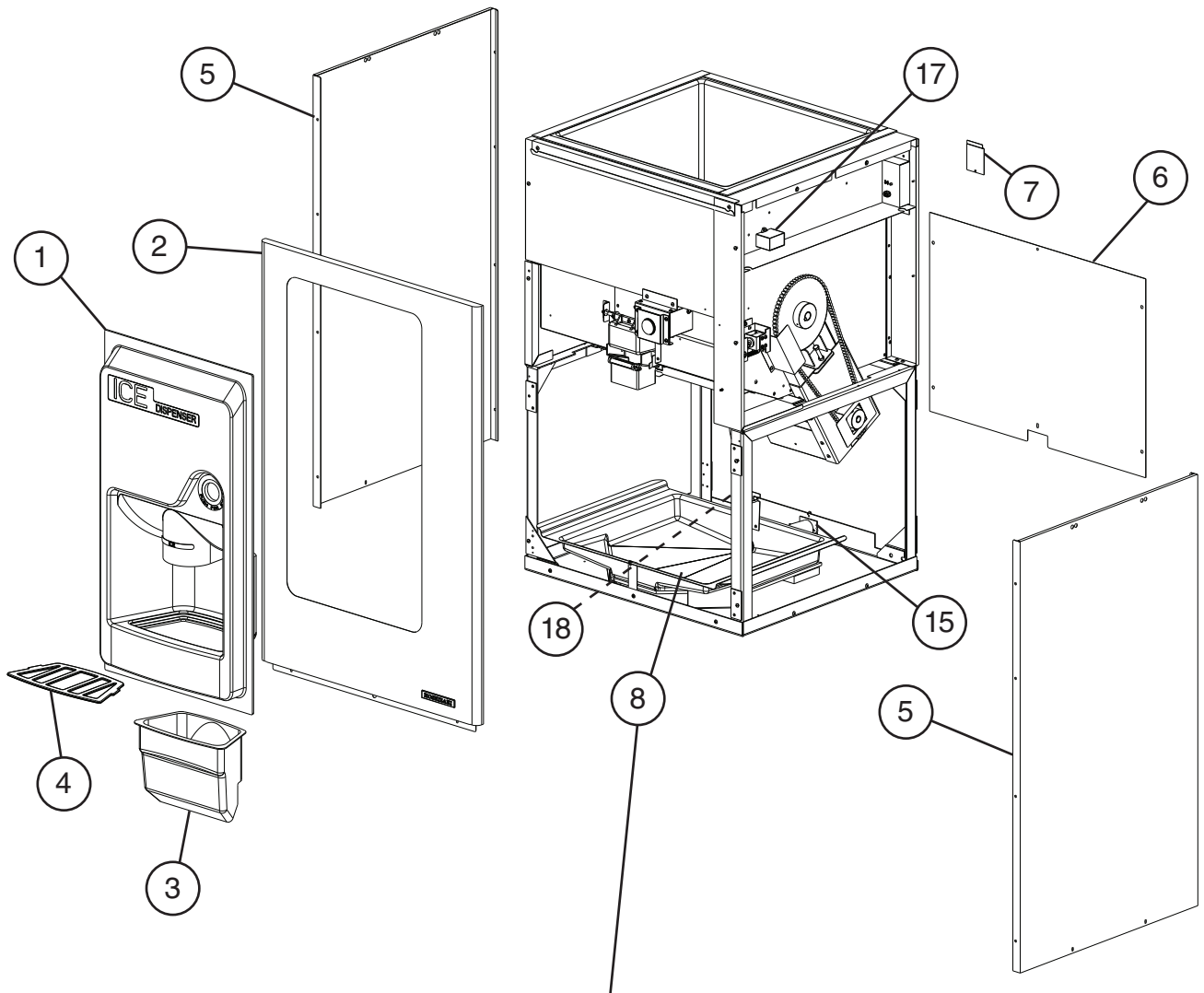
## **Auxiliary Code Breakdown**

The auxiliary code is the first two characters in the serial number. The first character indicates the year. Years progress or regress in alphabetical order. The series runs from "A" through "V" and the letters "I" and "O" are skipped. The second character indicates significant part changes within a year. Base is "5" (0 for auxiliary codes P-0 and earlier) and this number advances for each change.

## **Note About Ordering Parts**

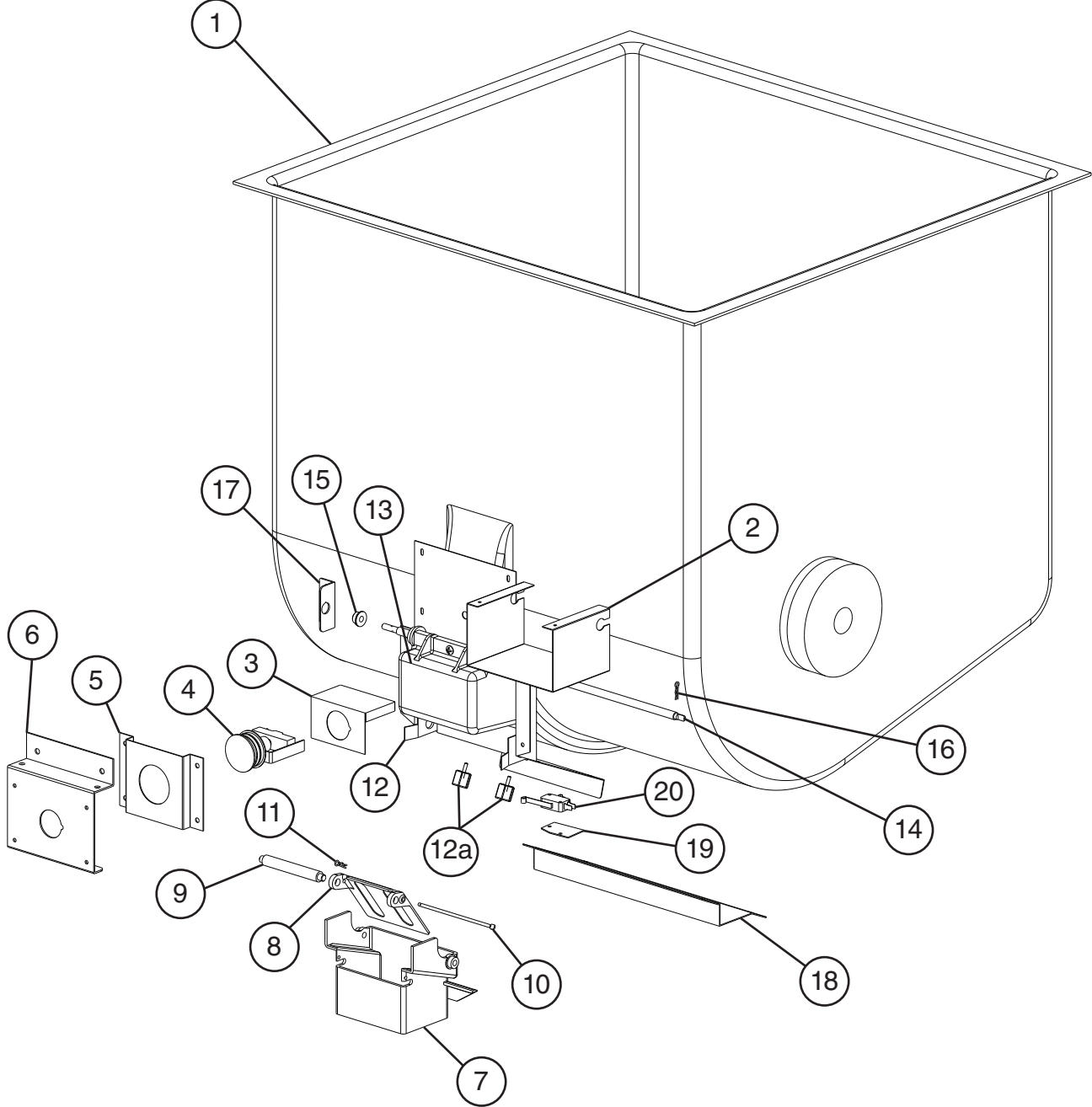
Most assemblies cannot be ordered as complete units; parts in the assemblies generally must be ordered separately.

**A. Main Assembly**  
**DB-200H**  
L-0 to F-5



Title: A. Main Assembly Model: DB-200H											
Index No.	Description	Material or Model Number	Part Number	Required Number							
				L-0 to T-5	T-6 to B-5	B-6 to F-5					
1	Front Panel (A)		1A0567-01	1	1	1					
2	Front Panel (B)		2A2153-01	1	1	1					
3	Chute		2A2371-01	1	1	1					
4	Drain Board		3A2145-01	1	1	1					
5	Side Panel		214489-03	2	2	2					
6	Rear Panel		323051-01	1	1	1					
7	Junction Box Cover		433410-01	1	1	1					
8	Drain Pan Assembly (B-5 and earlier includes item 9. B-6 and later includes items 9 through 14)		212960G01	1	1	-					
			214616A03			1					
9	Insulation Sheet		3A0236-01	1	1	-					
			3A0237-01			1					
10	Drain Hose		436315-01	1	1	1					
11	Drain Fitting		438729-01	1	1	1					
12	Drain		429770-01			1					
13	Drain Cap		418294-01			1					
14	Rubber Packing		413857-02			1					
15	Drain Fitting Pad		4A0144-01	1	1	1					
16	Drain Pan Bracket		435529-01	1	1	1					
17	Gear Motor Capacitor	25MFD, 370VAC	3A2005-06	1	-						
		20MFD, 250VAC	4A4319-02		1	1					
18	Vinyl Hose	L=445 mm	7716-2025	1	1	1					

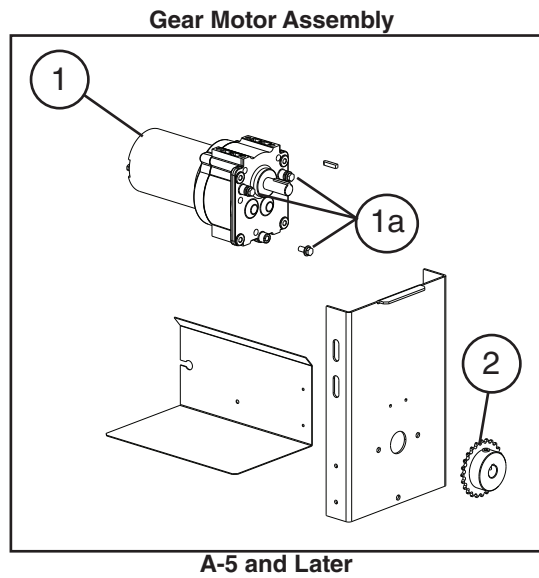
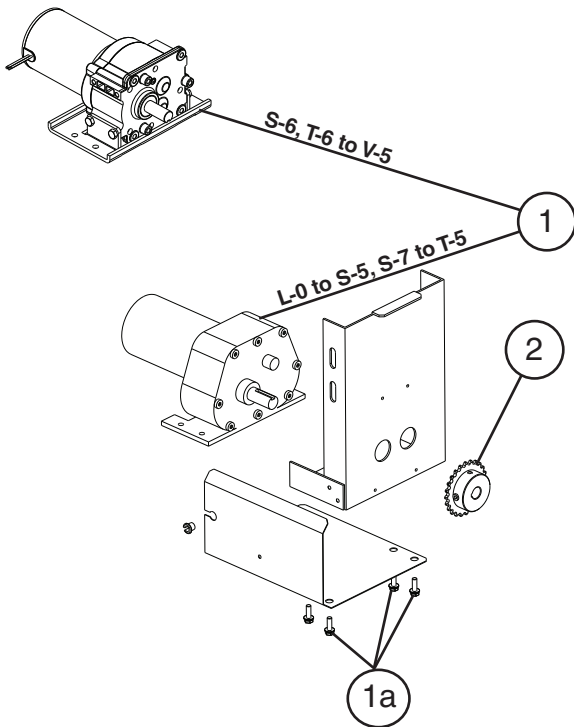
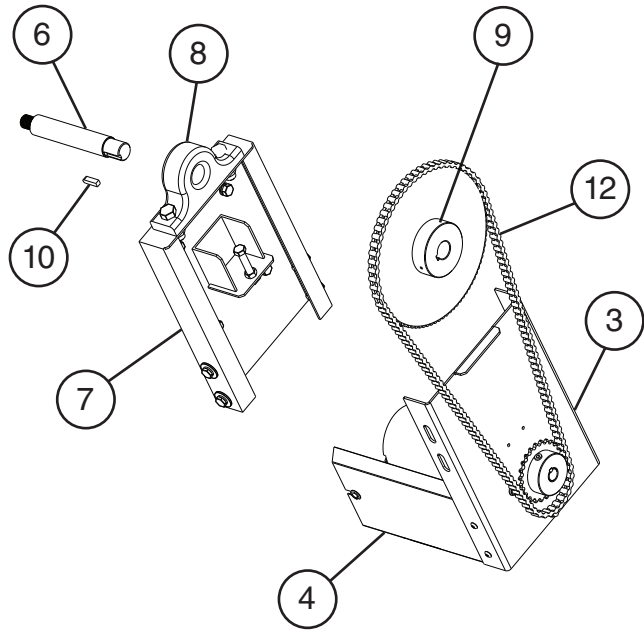
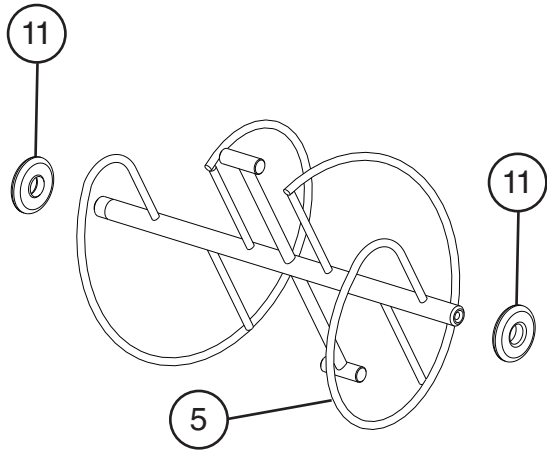
**B. Bin Assembly**  
**DB-200H**  
L-0 to F-5



**Title: B. Bin Assembly    Model: DB-200H**

Index No.	Description	Material or Model Number	Part Number	L-0 to F-5	Required Number								
1	Bin Body		106184G05	1									
2	Spout Switch Cover (A)		3A1950-01	1									
3	Safety Cover		3A0415-01	1									
4	Push Switch		435745-01	1									
5	Spout Switch Bracket		3A1947-01	1									
6	Spout Switch Cover (B)		4A2459-01	1									
7	Spout (A)		325994-01	1									
8	Shutter (B)		435539-01	1									
9	Weight		435540-01	1									
10	Shaft (D)		4A1210-01	1									
11	Snap Pin		715S-0004	1									
12	Hook		439398-01	1									
12a	Thumbscrew		414949G12	2									
13	Shutter (A)		215459-01	1									
14	Shaft Shutter		328648-01	1									
15	Shutter Collar		435533-01	1									
16	Snap Pin		715S-0006	1									
17	Collar Bracket		439399-01	1									
18	Safety Switch Cover		324706-01	1									
19	Spacer		429933-01	1									
20	Micro-Switch		4A2546-01	1									

**C. Mechanism Assembly**  
**DB-200H**  
 L-0 to F-5

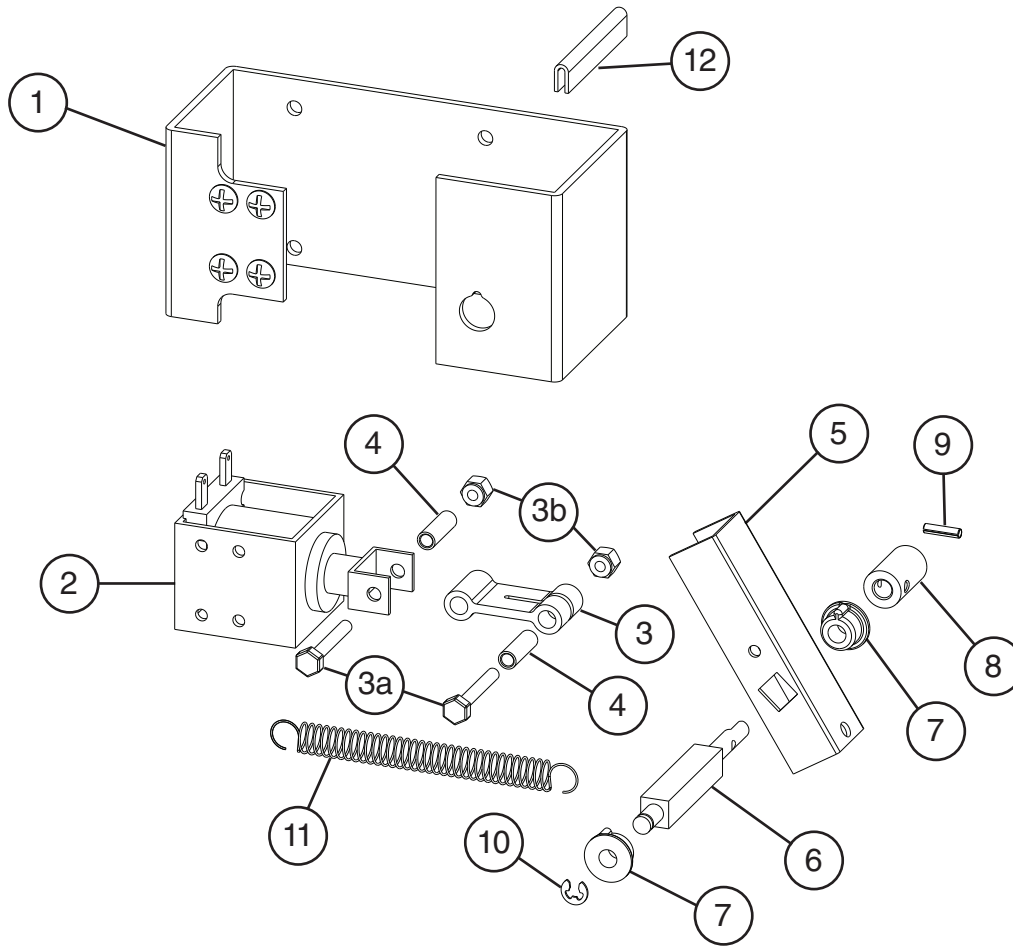




**Title: C. Mechanism Assembly Model: DB-200H**

Index No.	Description	Material or Model Number	Part Number	Required Number											
				L-0 to S-5	S-6	S-7 to T-5	T-6 to T-6 (J)	T-6 (K) to V-5	A-5 to F-5						
1	Gear Motor		4A0183-01	1	-	1	-								
			4A4264-01		1	-	1	1	-						
			4A5055-01						1						
1a	Bolt	6x20	4A1989-01	4	4	4	4	4	-						
	Hex Head Bolt - Serrated		4A5135-01						3						
2	Sprocket (A)		435557-01	1	1	1	1	-							
			4A4413-01					1	1						
3	Gear Motor Bracket (B)		2A0123-01	1	1	1	1	1	-						
			2A5462-01						1						
4	Barrier (C)		3A0398-01	1	1	1	1	1	-						
			3A5807-01						1						
5	Agitator		212969G01	1	1	1	1	1	1						
6	Drive Shaft		435551-01	1	1	1	1	1	1						
7	Gear Motor Bracket (A)		2A0450G01	1	1	1	1	1	1						
8	Pillow Block Bearing		435553-02	1	1	1	1	1	1						
9	Sprocket (B)		435554-01	1	1	1	1	1	1						
10	Key	6x6x22	437265-01	1	1	1	1	1	1						
11	Seal (B)		435558-01	2	2	2	2	2	2						
12	Chain	130 pitches	435797-01	1	1	1	1	1	1						

**D. Solenoid Assembly**  
**DB-200H**  
 L-0 to F-5

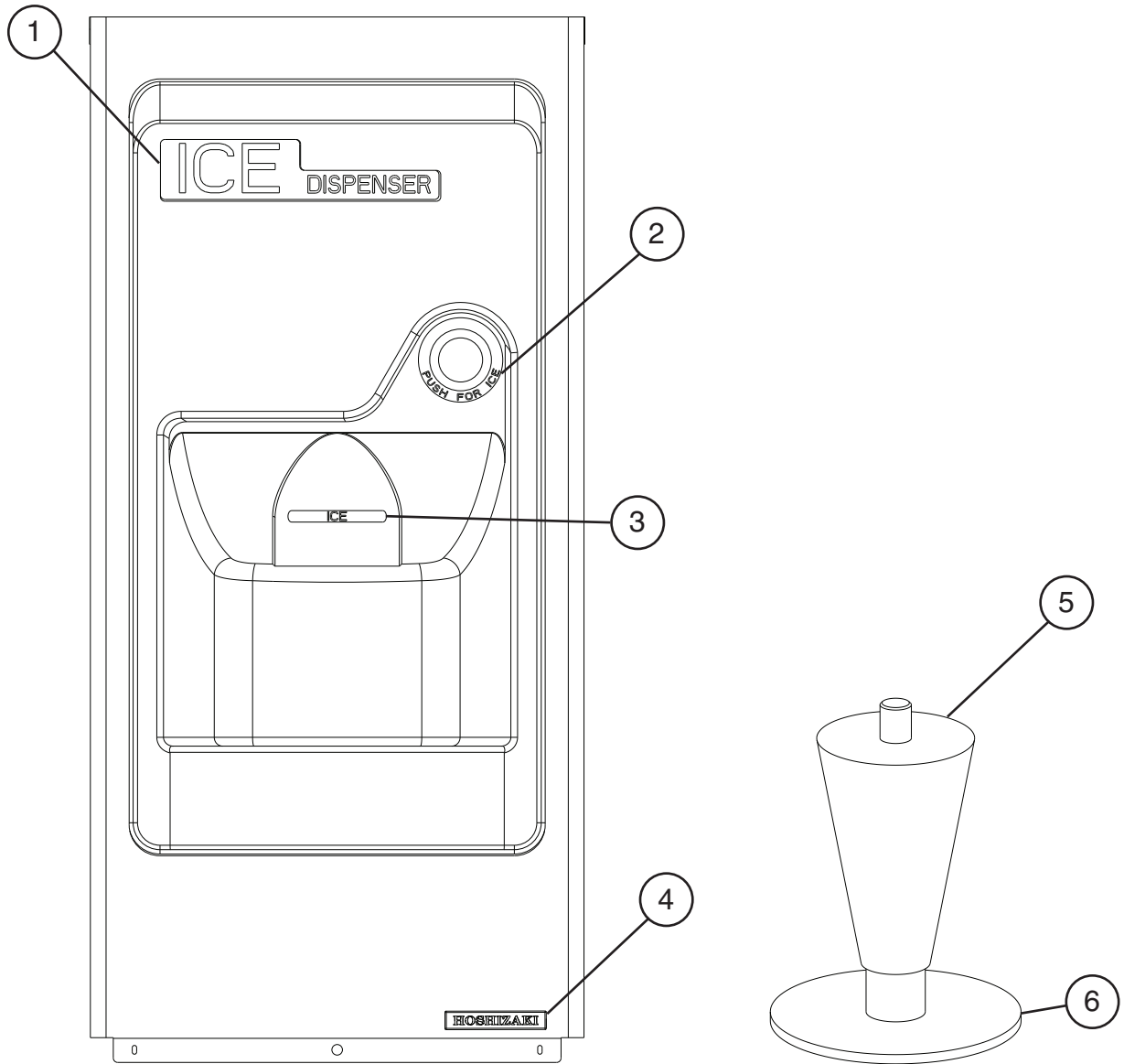


Title: D. Solenoid Assembly Model: DB-200H													
Index No.	Description	Material or Model Number	Part Number	Required Number									
				L-0 to F-5									
1	Solenoid Bracket		3A0533-01	1									
2	Solenoid		4A0856-01	1									
3	Link		432232-01	1									
3a	Hex Head Bolt	4x30, SS	7B02-0430	2									
3b	Hex Nut		7N110400	2									
4	Collar (D)		432471-01	2									
5	Link Solenoid		439397-01	1									
6	Shaft		435532-01	1									
7	Shutter Collar		435533-01	2									
8	Connector		435534-01	1									
9	Spring Pin	3x12, SS	712S-0312	1									
10	E-Ring		721S-0005	1									
11	Spring		432878-01	1									
12	Rubber Gasket	L=50 mm	4A0662L01	1									

# E. Accessories & Labels

## DB-200H

L-0 to F-5



Title: E. Accessories & Labels    Model: DB-200H					Required Number											
Index No.	Description	Material or Model Number	Part Number	L-0 to F-5												
				1	Naming Label		3A2025-01	1								
2	Push Label		4A2472-01	1												
3	Spout Label		4A2469-01	1												
4	Hoshizaki Emblem		4A0560-01	1												
5	Adjustable Leg		4A2526-01	4												
6	Leg Protector		3A0134-01	4												